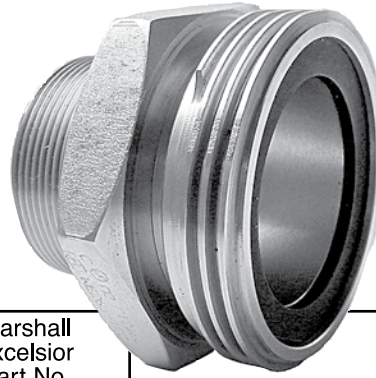


ACME ADAPTORS

BRASS MALE ACME x MNPT ADAPTORS



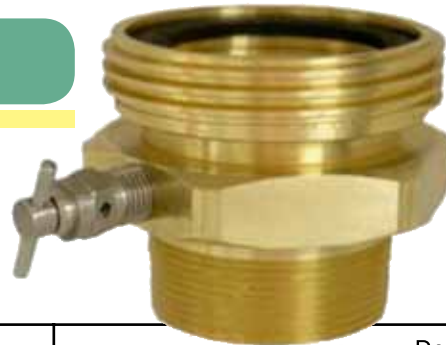
ME503-16

Marshall Excelsior

Fisher Part No.	Marshall Excelsior Part No.	Description
M498-4/2*	ME498-4/2*	1 1/4" M. Acme x 1/2" MNPT x 1/4" FNPT Adaptor
M498-6/3*	ME498-6/3*	1 1/4" M. Acme x 3/4" MNPT x 3/8" FNPT Adaptor
M215	ME215	1 3/4" M. Acme x 3/4" MNPT Adaptor
M216	ME216	1 3/4" M. Acme x 1" MNPT Adaptor
M217	ME217	1 3/4" M. Acme x 1 1/4" MNPT Adaptor
M233	ME233	2 1/4" M. Acme x 1 1/4" MNPT Adaptor
M502-12/8*	ME502-12/8*	2 1/4" M. Acme x 1 1/2" MNPT x 1" FNPT Adaptor
M502-16/10*	ME502-16/10*	2 1/4" M. Acme x 2" MNPT and 1 1/4" FNPT Adaptor
M502-16/12*	ME502-16/12*	2 1/4" M. Acme x 2" MNPT and 1 1/2" FNPT Adaptor
M503-16	ME503-16	3 1/4" M. Acme x 2" MNPT Adaptor
	ME503-20	3 1/4" M. Acme x 2 1/2" MNPT Adaptor
M262	ME262	3 1/4" M. Acme x 3" MNPT Adaptor
M504-24	---	4 1/2" M. Acme x 3" MNPT Adaptor

*Dual thread Male outside / Female inside

ACME ADAPTORS WITH VENT VALVES



ME252J-16

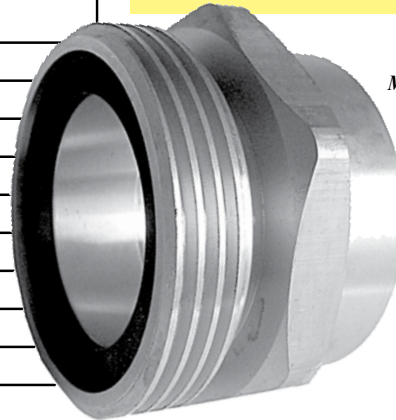
Marshall Excelsior

Part No.	Description
ME252J-16	3 1/4" M. Acme x 2" FPT (Brass) with 1/4" FPT and vent hole
ME252JB-16	3 1/4" M. Acme x 2" FPT (Brass) with brass vent valve
ME252JS-16	3 1/4" M. Acme x 2" FPT (Brass) with stainless steel vent valve
ME252SJ-16	3 1/4" M. Acme x 2" FPT (Zinc Plated Steel) with 1/4" FPT and vent hole
ME252SJB-16	3 1/4" M. Acme x 2" FPT (Zinc Plated Steel) with brass vent valve
ME252SJS-16	3 1/4" M. Acme x 2" FPT (Zinc Plated Steel) with stainless steel vent valve
ME503J-16	3 1/4" M. Acme x 2" MPT (Brass) with 1/4" FPT and vent hole
ME503JB-16	3 1/4" M. Acme x 2" MPT (Brass) with brass vent valve
ME503JS-16	3 1/4" M. Acme x 2" MPT (Brass) with stainless steel vent valve
ME503SJ-16	3 1/4" M. Acme x 2" MPT (Zinc Plated Steel) with 1/4" FPT and vent hole
ME503SJB-16	3 1/4" M. Acme x 2" MPT (Zinc Plated Steel) with brass vent valve
ME503SJS-16	3 1/4" M. Acme x 2" MPT (Zinc Plated Steel) with stainless steel vent valve

ACME ADAPTORS

BRASS MALE ACME x FNPT ADAPTORS

Fisher Part No.	Marshall Excelsior Part No.	Description
M192	ME192	1 1/4" M. Acme x 1/2" FNPT Adaptor
M193	ME193	1 1/4" M. Acme x 3/4" FNPT Adaptor
M210	ME210	1 3/4" M. Acme x 1/4" FNPT Adaptor
M211	ME211	1 3/4" M. Acme x 3/8" FNPT Adaptor
M212	ME212	1 3/4" M. Acme x 1/2" FNPT Adaptor
M213	ME213	1 3/4" M. Acme x 3/4" FNPT Adaptor
M214	ME214	1 3/4" M. Acme x 1" FNPT Adaptor
M250	ME250	3 1/4" M. Acme x 1 1/4" FNPT Adaptor
--	ME251	3 1/4" M. Acme x 1 1/2" FNPT Adaptor
M252	ME252-16	3 1/4" M. Acme x 2" FNPT Adaptor
M498-4/2*	ME498-4/2*	1 1/4" M. Acme x 1/4" FNPT x 1/2" MNPT Adaptor
M498-6/3*	ME498-6/3*	1 1/4" M. Acme x 3/8" FNPT x 3/4" MNPT Adaptor
M502-12/8*	ME502-12/8*	2 1/4" M. Acme x 1 FNPT x 1 1/2" MNPT Adaptor
M522-16/10*	ME502-16/10*	2 1/4" M. Acme x 1 1/4" FNPT x 2" MNPT Adaptor
M502-16/10*	ME502-16/10*	2 1/4" M. Acme x 1 1/4" FNPT x 2" MNPT Adaptor
M502-16/12*	ME502-16/12*	2 1/4" M. Acme x 1 1/2" FNPT x 2" MNPT Adaptor
M508-24	ME508-24	3 1/4" M. Acme x 3" FNPT Adaptor
M509-24		4 1/4" M. Acme x 3" FNPT Adaptor

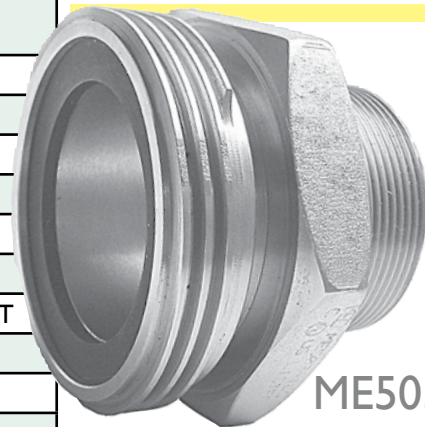


Marshall Excelsior

ME252

* Dual Threads - Male outside / Female inside

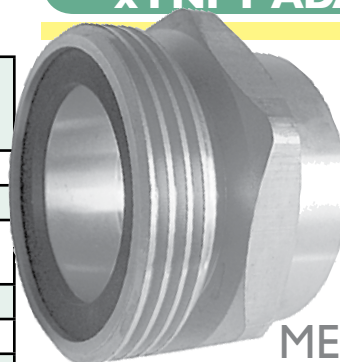
Fisher Part No.	Marshall Excelsior Part No.	Description
M520-8	ME520S-8	1 1/4" M Acme x 1" MNPT
M521-4	ME521S-4	1 3/4" M Acme x 1/2" MNPT
M521-6	ME215S	1 3/4" M Acme x 3/4" MNPT
M521-8	ME216S	1 3/4" M Acme x 1" MNPT
M521-10	ME217S	1 3/4" M Acme x 1 1/4" MNPT
M236	ME233S	2 1/4" M Acme x 1 1/4" MNPT
M522-16/10*	-	2 1/4" M Acme x 2" MNPT x 1 1/4" FNPT
M263	ME503S-16	3 1/4" M Acme x 2" MNPT
M523-24	ME262S	3 1/4" M Acme x 3" MNPT
M524-24	-	4 1/4" M Acme x 3" MNPT



ME503S-16

STEEL MALE ACME x FNPT ADAPTORS

Fisher Part No.	Marshall Excelsior Part No.	Description
M213	ME213S	1 3/4" M Acme x 3/4" FNPT
M214	ME214S	1 3/4" M Acme x 1" FNPT
M502-16/10*	ME502S-16/10*	2 1/4" M Acme x 1 1/4" FNPT x 2" MNPT
M528-16	ME252S-16	3 1/4" M Acme x 2" FNPT
M528-24	ME508S-24	3 1/4" M Acme x 3" FNPT
M529-24		4 1/4" M Acme x 3" FNPT



ME252S-16

ACME ADAPTORS AND ACME COUPLINGS

Marshall Excelsior



ME252A-16

Acme Adaptors with Strainer Screen

Part No.	Description
ME503A-16	3 1/4" M Acme x 2" MNPT
ME262A	3 1/4" M Acme x 3" MNPT
ME250A	3 1/4" M Acme x 1 1/4" FNPT
ME251A	3 1/4" M Acme x 1 1/2" FNPT
ME252A-16	3 1/4" M Acme x 2" FNPT
ME508A-24	3 1/4" M Acme x 3" FNPT
ME251-02	Replacement screen for adaptors
ME251-03	Replacement snap ring for screen

Brass Filler Couplings

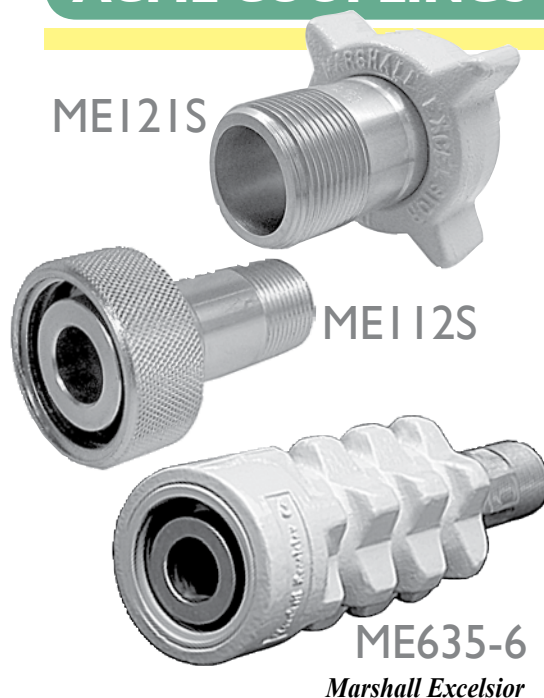


ME120

Fisher Part No.	Marshall Excelsior Part No.	Type of Acme Nut	Description
M100	ME100	Knurled Brass Nut	1 1/4" F Acme x 3/8" MNPT
M101	ME101		1 1/4" F Acme x 1/2" MNPT
M110	ME110		1 3/4" F Acme x 1/2" MNPT
M111	ME111		1 3/4" F Acme x 3/4" MNPT
M112	ME112		1 3/4" F Acme x 1" MNPT
-	ME110C	EZ Grip Brass Nut	1 3/4" F Acme x 1/2" MNPT
-	ME111C		1 3/4" F Acme x 3/4" MNPT
-	ME112C		1 3/4" F Acme x 1" MNPT
-	ME120		2 1/4" F Acme x 1 1/4" MNPT
M120	ME120S		2 1/4" F Acme x 1 1/4" MNPT - Steel Nipple
-	ME130B		3 1/4" F Acme x 2" MNPT
M130	ME130		3 1/4" F Acme x 2" MNPT - Steel Nipple
M664-24	-		4 1/4" F Acme x 3" MNPT

Steel Filler Couplings

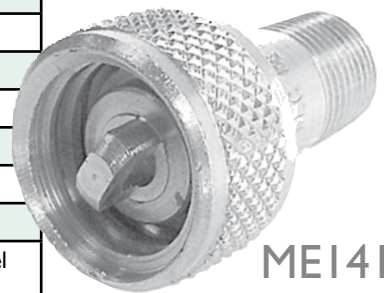
Fisher Part No.	Marshall Excelsior Part No.	Type of Acme Nut	Description
-	ME635-4	Heavy Duty Grip Steel	1 3/4" F Acme x 1/2" MNPT
M653-6	ME635-6		1 3/4" F Acme x 3/4" MNPT
M635-8	ME635-8		1 3/4" F Acme x 1" MNPT
-	ME635-10	Knurled Steel	1 3/4" F Acme x 1 1/4" MNPT
M631-6	ME111S		1 3/4" F Acme x 3/4" MNPT
M631-8	ME112S	EZ Grip Steel	1 3/4" F Acme x 1" MNPT
-	ME111SC		1 3/4" F Acme x 3/4" MNPT
-	ME112SC		1 3/4" F Acme x 1" MNPT
-	ME113SC		1 3/4" F Acme x 3/4" FMNPT
M121	ME121S		2 1/4" F Acme x 1 1/4" MNPT
M133	ME130S		3 1/4" F Acme x 2" MNPT
M634-24	-		4 1/4" F Acme x 3" MNPT



ME635-6
Marshall Excelsior

Brass Vapor Couplings

Fisher Part No.	Marshall Excelsior Part No.	Description
M140	ME140	1 1/4" F Acme x 3/8" MNPT Vapor Return
M394	-	1 1/4" F Acme x 3/8" MNPT - 6 1/4" long
M141	ME141	1 1/4" F Acme x 1/2" MNPT Vapor Return
M150	ME150	1 3/4" F Acme x 3/4" MNPT Vapor Return
M151	ME151	1 3/4" F Acme x 1" MNPT Vapor Return
M160	-	2 1/4" F Acme x 1 1/4" MNPT Vapor Return
-	ME160S	2 1/4" F Acme x 1 1/4" MNPT Vapor Return - Brass Nut/Steel Nipple



ME141

Steel Vapor Couplings

Fisher Part No.	Marshall Excelsior Part No.	Description
---	ME140S	1 1/4" F. Acme x 3/8" MNPT Vapor Return Coupling
M640-4	ME141S	1 1/4" F. Acme x 1/2" MNPT Vapor Return Coupling
---	ME150S	1 3/4" F. Acme x 3/4" MNPT Vapor Return Coupling
---	ME646-4	1 3/4" F. Acme x 1/2" MNPT Vapor Return Coupling- 7" O.A.L.
M646-6	ME646-6	1 3/4" F. Acme x 3/4" MNPT Vapor Return Coupling- 7" O.A.L.
M646-8	ME646-8	1 3/4" F. Acme x 1" MNPT Vapor Return Coupling- 7" O.A.L.
---	ME646-10	1 3/4" F. Acme x 1 1/4" MNPT Vapor Return Coupling- 7 1/4" O.A.L.
M641-8	ME151S	1 3/4" F. Acme x 1" MNPT Vapor Return Coupling- 3 1/4" O.A.L.
---	ME160S	2 1/4" F. Acme x 1 1/4" MNPT Vapor Return Coupling- 3 3/8" O.A.L.



M640-4



M646-8

ACME ADAPTORS ACME ADAPTOR CAPS



M270



Brass Male Acme Adaptors

Fisher Part No.	Marshall Excelsior Part No.	Description
M270	ME270	1 1/4" M. Acme x 1 1/4" M. Acme
M273	ME273	1 3/4" M. Acme x 1 3/4" M. Acme
---	ME275	2 1/4" M. Acme x 2 1/4" M. Acme
---	ME277	3 1/4" M. Acme x 3 1/4" M. Acme



ME273S

Marshall Excelsior

Steel Male Acme Adaptor

Fisher Part No.	Marshall Excelsior Part No.	Description
M536-14	ME273S	1 3/4" M. Acme x 1 3/4" M. Acme
M536-18	ME275S	2 1/4" M. Acme x 2 1/4" M. Acme
M536-26	ME277S	3 1/4" M. Acme x 3 1/4" M. Acme
M536-34	---	4 1/4" M. Acme x 4 1/4" M. Acme

ADAPTOR CAPS



ME612

Marshall Excelsior

Brass Adaptor Caps

Fisher Part No	Marshall Excelsior Part No	Description
M611	ME611	2 1/4" F Acme x 1 3/4" M Acme
M612	ME612	3 1/4" F Ace x 1 3/4" M Acme
-	ME442	3 1/4" F Acme x 1 1/4" FNPT
-	ME614	3 1/4" F Acme x 2 1/4" M Acme
M613	-	4 1/4" F Acme x 3 1/4" M Acme



ME442S

Steel Adaptor Caps

Fisher Part No.	Marshall Excelsior Part No.	Description
---	ME611S	2 1/4" F. Acme x 1 3/4" M. Acme Adaptor
M622	ME612S	3 1/4" F. Acme x 1 3/4" M. Acme Adaptor
M442	ME442S	3 1/4" F. Acme x 1 1/4" FNPT Adaptor
M623	---	4 1/4" F. Acme x 3 1/4" M. Acme Adaptor