

Pilot Orifices and Plugs

Anderson Forrester Baso

Part No.	Description
BA701	1/8" male pipe thread to 7/16" x 27 thread
BA702	1/4" compression connection to 7/16" x 27 thread. For LP only.
BA703	1/8" female pipe thread to 7/16" x 27 thread
BA715	1/4" compression connection to 7/16" x 27 thread
BA718	1/4" compression to 7/16" x 27 thread
BA719	1/8" female pipe thread to 7/16" x 27 thread
BA720	1/8" male pipe thread to 7/16" x 27 thread - double orifice

Anderson Forrester Robertshaw

Part No.	Description
GR803	Pilot orifice - 1/4" compression connection. LP drill size .009
GR804	Pilot orifice for 1/4" compression connection. LP drill size .008
GR805	Pilot orifice for 1/4" compression connection. LP drill size .007
GR806	Pilot orifice for 3/16" compression connection. LP drill size .008
GR807	Pilot orifice for 3/16" compression connection. LP drill size .008
GR813	Pilot orifice for 1/4" compression connection. LP drill size .010
GR821	Pilot orifice for 1/4" tube size. LP drill size .008



bergquistinc.com | 800 537 7518

Anderson Forrester Minneapolis-Honeywell

Part No.	Description
MH851	Orifice fitting, 1/4" compression connection to 7/16" x 27 male thread. LP drill size .011
MH854	Orifice fitting, 1/4" compression connection to 7/16" x 27 male thread. LP drill size .010
MH856	Pilot orifice. LP drill size .010
MH857	Bullet nose pilot orifice. LP drill size .010
MH858	Pilot orifice. LP drill size .010

Anderson Forrester White-Rodgers

Part No.	Description
WR900	1/4" compression connection to 1/2" x 20 thread. LP drill size .012
WR902	1/4" compression connection to 1/2" x 20 thread. LP drill size .012
WR903	1/4" compression connection to 7/16" x 20 thread. LP drill size .010
WR904	1/8" female pipe to 7/16" x 20 thread. LP drill size .010
WR905	1/4" compression connection to 7/16" x 20 thread. LP drill size .010



Kit contains 32 of the most needed pilot orifices. Over 100 pieces. Replacement orifices for Baso, Robertshaw, General Controls, Honeywell, and White Rodgers. A chart is included describing and illustrating each part and thread size, replacement part number, etc. Cabinet is made of heavy gauge steel with durable baked enamel finish with radius bottom sections for easy removal.

Anderson Forrester Pilot Orifice Assortment Kit

Part No.	Description
MI132LP	Pilot orifice assortment kit

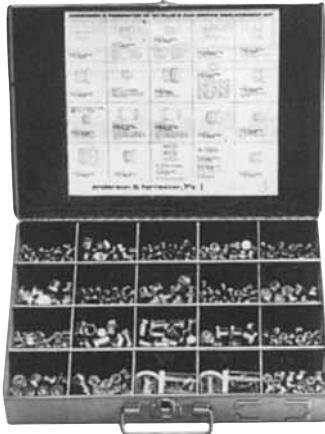
Pilot Orifices and Plugs



Special LP Plug and Cap Orifice Kit

Part No.	Description
MI135	LP plug & cap orifice kit

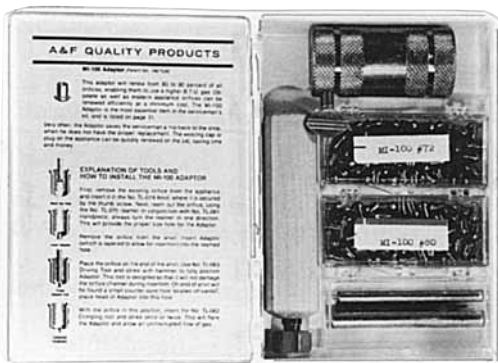
This kit is for LP only and consists of nearly 300 pieces. Including 23 popular items. All are 72 drill except PO527-80, PO539-.010, and PO519, PO520. PO523 and MI-108 which are blank. A chart describing and illustrating each item is inside the cover. Includes heavy gauge steel cabinet.



Serviceman's Orifice Assortment Kit

Part No.	Description
MI131LP	Orifice assortment kit

The MI131 orifice cabinet contains 23 of the most commonly used orifices. Over 300 orifices in proportion to normal demand. A chart describing and illustrating each item is just inside the cover. Cabinet is made of heavy gauge steel with durable baked enamel finish, with radius bottom sections for easy removal.



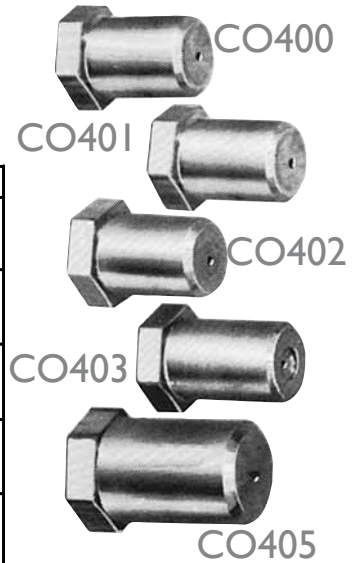
Adapter Kit

Part No.	Description
MI100K	Orifice adapter kit
MI100-72	Replacement #72 spud

Kit includes all tools needed to assemble MI-100 adaptors.. Kit includes 100 ea. MI-100, and 1 each of the following: TL-061, TL-062, TL-063, TL-064, TL-070, and TL-074 in a plastic box.

Anderson Forrester Cap Orifices

Part No.	Description
CO400	Std. flat end 3/8" x 27 thread approx. length 23/32
CO401	Std. flat end 1/8" taper pipe thread approx. length 11/16"
CO402	Std. flat end 3/8" x 40 thread approx. length 11/16"
CO403	Std. counter bored end 3/8" x 27 thread approx. length 3/4"
CO405	Std. flat 1/2" x 20 thread approx. 15/16"



Anderson Forrester Plug Orifices

Part No.	Description
PO505	With flat end 1/8" pipe thread. 72 drill size, unless ordered otherwise
PO508	1/4" x 28 thread. LP drill size 72.
PO511	7/16" x 27 thread. Drill size 72
PO515	1/4" x 32 thread. LP drill 72
PO518	11/32" x 32 thread. LP drill size 72
PO519	1/8" pipe thread
PO520	1/4" pipe thread
PO523	Manifold plug 1/8" taper pipe thread
PO529	5/16" x 27 thread. LP drill size 72
PO531	11/32" x 27 thread. LP drill size 72
PO533	5/16" x 32 thread LP drill size 72
PO536	3/8" x 27 thread LP drill size 72
PO538	3/8" x 32 thread LP drill size 72
PO543	7/16" x 24 thread LP drill size 72
PO558	9/16" x 27 thread LP drill size 72
PO559	5/8" x 27 thread LP drill size 72

