

# Acme Adapters

## BRASS MALE ACME x MNPT ADAPTERS

ME503-16



Fisher Part No.	Marshall Excelsior Part No.	Description
M498-4/2*	ME498-4/2*	1 1/4" M. Acme x 1/2" MNPT x 1/4" FNPT Adaptor
M498-6/3*	ME498-6/3*	1 1/4" M. Acme x 3/4" MNPT x 3/8" FNPT Adaptor
M215	ME215	1 3/4" M. Acme x 3/4" MNPT Adaptor
M216	ME216	1 3/4" M. Acme x 1" MNPT Adaptor
M217	ME217	1 3/4" M. Acme x 1 1/4" MNPT Adaptor
M233	ME233	2 1/4" M. Acme x 1 1/4" MNPT Adaptor
M502-12/8*	ME502-12/8*	2 1/4" M. Acme x 1 1/2" MNPT x 1" FNPT Adaptor
M502-16/10*	ME502-16/10*	2 1/4" M. Acme x 2" MNPT and 1 1/4" FNPT Adaptor
M502-16/12*	ME502-16/12*	2 1/4" M. Acme x 2" MNPT and 1 1/2" FNPT Adaptor
M503-16	ME503-16	3 1/4" M. Acme x 2" MNPT Adaptor
M503-20	ME503-20	3 1/4" M. Acme x 2 1/2" MNPT Adaptor
M262	ME262	3 1/4" M. Acme x 3" MNPT Adaptor
M504-24	---	4 1/2" M. Acme x 3" MNPT Adaptor

\*Dual thread Male outside / Female inside



bergquistinc.com | 800 537 7518

## ACME ADAPTERS WITH VENT VALVES

ME503JB-16

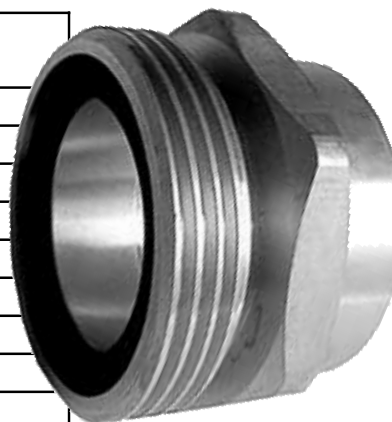


Part No.	Description
ME252J-16	3 1/4" M. Acme x 2" FPT (Brass) with 1/4" FPT and vent hole
ME252JB-16	3 1/4" M. Acme x 2" FPT (Brass) with brass vent valve
ME252JS-16	3 1/4" M. Acme x 2" FPT (Brass) with stainless steel vent valve
ME252SJ-16	3 1/4" M. Acme x 2" FPT (Zinc Plated Steel) with 1/4" FPT and vent hole
ME252SJB-16	3 1/4" M. Acme x 2" FPT (Zinc Plated Steel) with brass vent valve
ME252SJS-16	3 1/4" M. Acme x 2" FPT (Zinc Plated Steel) with stainless steel vent valve
ME503J-16	3 1/4" M. Acme x 2" MPT (Brass) with 1/4" FPT and vent hole
ME503JB-16	3 1/4" M. Acme x 2" MPT (Brass) with brass vent valve
ME503JS-16	3 1/4" M. Acme x 2" MPT (Brass) with stainless steel vent valve
ME503SJ-16	3 1/4" M. Acme x 2" MPT (Zinc Plated Steel) with 1/4" FPT and vent hole
ME503SJB-16	3 1/4" M. Acme x 2" MPT (Zinc Plated Steel) with brass vent valve
ME503SJS-16	3 1/4" M. Acme x 2" MPT (Zinc Plated Steel) with stainless steel vent valve

Bergquist

### BRASS MALE ACME x FNPT ADAPTERS

Fisher Part No.	Marshall Excelsior Part No.	Description
M192	ME192	1 1/4" M. Acme x 1/2 FNPT Adaptor
M193	ME193	1 1/4" M. Acme x 3/4" FNPT Adaptor
M210	ME210	1 3/4" M. Acme x 1/4" FNPT Adaptor
M211	ME211	1 3/4" M. Acme x 3/8" FNPT Adaptor
M212	ME212	1 3/4" M. Acme x 1/2" FNPT Adaptor
M213	ME213	1 3/4" M. Acme x 3/4" FNPT Adaptor
M214	ME214	1 3/4" M. Acme x 1" FNPT Adaptor
M250	ME250	3 1/4" M. Acme x 1 1/4" FNPT Adaptor
--	ME251	3 1/4" M. Acme x 1 1/2" FNPT Adaptor
M252	ME252	3 1/4" M. Acme x 2" FNPT Adaptor
M498-4/2*	ME498-4/2*	1 1/4" M. Acme x 1/4" FNPT x 1/2" MNPT Adaptor
M498-6/3*	ME498-6/3*	1 1/4" M. Acme x 3/8" FNPT x 3/4" MNPT Adaptor
M502-12/8*	ME502-12/8*	2 1/4" M. Acme x 1 FNPT x 1 1/2" MNPT Adaptor
M502-16/10*	ME502-16/10*	2 1/4" M. Acme x 1 1/4" FNPT x 2" MNPT Adaptor
M502-16/12*	ME502-16/12*	2 1/4" M. Acme x 1 1/2" FNPT x 2" MNPT Adaptor
M508-24	ME508-24	3 1/4" M. Acme x 3" FNPT Adaptor
M509-24		4 1/4" M. Acme x 3" FNPT Adaptor



ME252

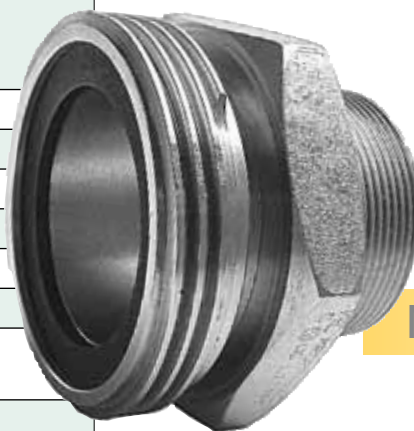
\* Dual Threads - Male outside / Female inside



bergquistinc.com | 800 537 7518

### STEEL MALE ACME x MNPT ADAPTERS

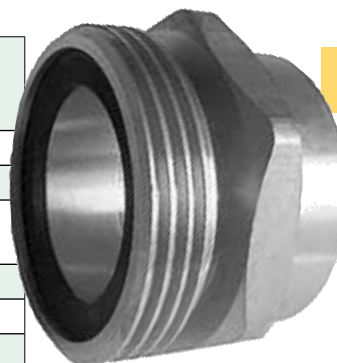
Fisher Part No.	Marshall Excelsior Part No.	Description
M520-8	ME520S-8	1 1/4" M Acme x 1" MNPT
M521-4	ME521S-4	1 3/4" M Acme x 1/2" MNPT
M521-6	ME215S	1 3/4" M Acme x 3/4" MNPT
M521-8	ME216S	1 3/4" M Acme x 1" MNPT
M521-10	ME217S	1 3/4" M Acme x 1 1/4" MNPT
M236	ME233S	2 1/4" M Acme x 1 1/4" MNPT
M522-16/10*	-	2 1/4" M Acme x 2" MNPT x 1 1/4" FNPT
M263	ME503S-16	3 1/4" M Acme x 2" MNPT
M523-24	ME262S	3 1/4" M Acme x 3" MNPT
M524-24	-	4 1/4" M Acme x 3" MNPT



ME503S-16

### STEEL MALE ACME x FNPT ADAPTERS

Fisher Part No.	Marshall Excelsior Part No.	Description
M213	ME213S	1 3/4" M Acme x 3/4" FNPT
M214	ME214S	1 3/4" M Acme x 1" FNPT
M502-16/10*	ME502S-16/10*	2 1/4" M Acme x 1 1/4" FNPT x 2" MNPT
M528-16	ME252S-16	3 1/4" M Acme x 2" FNPT
M528-24	ME508S-24	3 1/4" M Acme x 3" FNPT
M529-24		4 1/4" M Acme x 3" FNPT



ME252S-16